



Control of instrument supply air pressure, and removal by filtration of dust particles and water content.

FEATURES

Pressure reducer and supply air station:

- Minimal effect of upstream pressure fluctuation.
- Low inherent air consumption.
- With or without filter
- Ambient temperature range -40 to $+80$ °C
- Explosion protection II 2 G c IIC T4 -T6
ATEX - constructive design

TECHNICAL DATA

Filter regulator

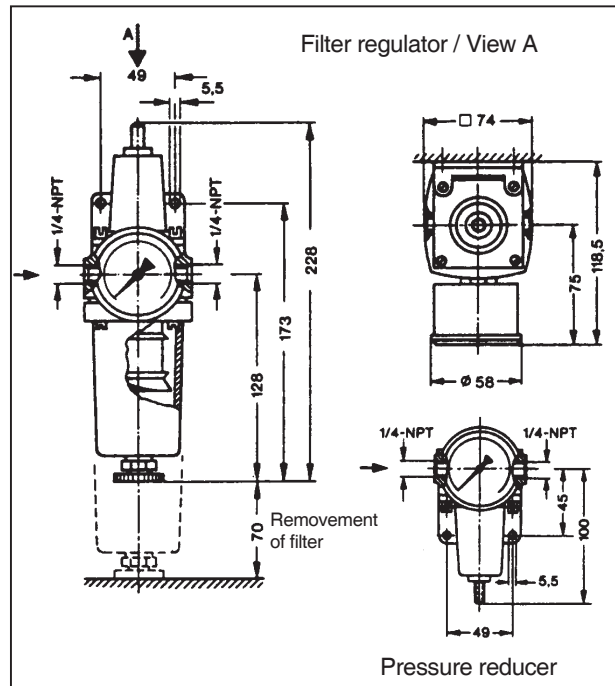
Pressure reducer, including mounting bracket and filter bowl

- Input max. 15 bar / 1.5 MPa /
15 kg/cm² / 220 psi
- Control range 0 to 2.5 bar/0 to 35 psi (Code -1)
0 to 6 bar/0 to 90 psi (Code -2)
- Indicating range 0 to 2.5 bar/0 to 35 psi (Code -1)
0 to 10 bar/0 to 145 psi (Code -2)
- Error limit Class 2.5
- Air throughput Qn max. 24 m³/h *
- Upstream press. dependency ≤ 1 mbar/0.1 bar
- Max.inherent air consumption ≤ 0.001 m³/h *
- Location class IP 54 acc. to IEC 529
- Area classification D2 acc. to IEC 654/1
- Ambient temperature range . -40 to +80 °C **
- Mounting Wall mounting/Pipe mounting
- Nominal position NL 90
- Pneum. connections. internal thread 1/4 – 18 NPT

Materials:

- Filter: Sintered bronze, diffusion tinned, filter grade 30 μm
- Filter bowl: Diecast aluminium
- Gauge: housing, plastic; measuring system, brass
vers. without nonferrous metal, Mat. No. 1.4571
- Weight approx. 1 kg

DIMENSIONS



- * Measured at 7 bar upstream pressure and 1.4 bar output pressure, based on standard reference conditions.
- ** The supply air must be dry for operation at temperatures below 0 °C (observe dew point)

MODEL CODES

Pressure Regulator without or with Filter	FRS923		011004
Control range			
0 to 2.5 bar; 0 to 35 psi	-1		
0 to 6 bar; 0 to 90 psi	-2		
Version			
Pressure Regulator without Filter		R	
Pressure Regulator with Filter		S	
Gauges			
Without (a)			W
Gauge With Plastic Housing (b)(d)			K
Gauge With Housing in 1.4571 (c)			V
Options			
Indication Range In kg/cm ²			-A
Indication Range In kPa			-B
Version Free Of Non Ferrous Metal.			-C
Protection Class IP65			-F
Assembled free of oil and grease / Designed for Auxilliary Energy Oxygen			-S
Tag No. Labeling: Stamped With Weather Resistant Color			-G
Tag No. Labeling: Stainless Steel Label Fixed With Wire			-L
(a) Not available with Options -A, -B (b) Not with Options -C (c) Not with Options -A (d) Not with Options -B			
Fittings see EOO9001			

Subject to alterations – reprinting, copying and translation prohibited. Products and publications are normally quoted here without reference to existing patents, registered utility models or trademarks. The lack of any such reference does not justify the assumption that a product or symbol is free.